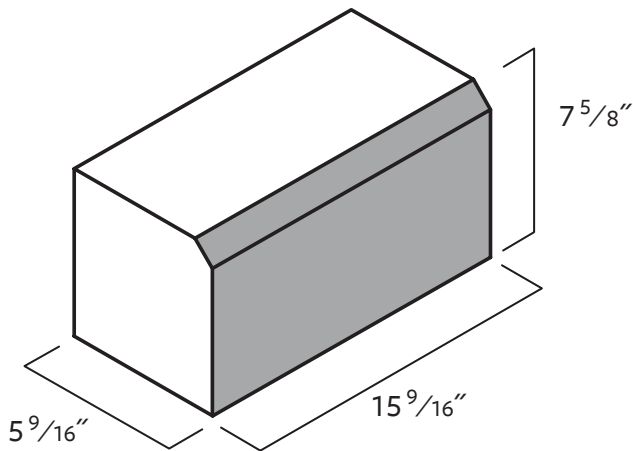




Special Chamfer 8" Solid

CHAMFERS ARE AVAILABLE IN $\frac{1}{2}$ " – $1\frac{1}{2}$ " AND CAN BE APPLIED TO ALL EDGES



1F/1E Chamfer End Solid
Only face and angled unit will be ground

Also Available in
4" 8" 10" 12"