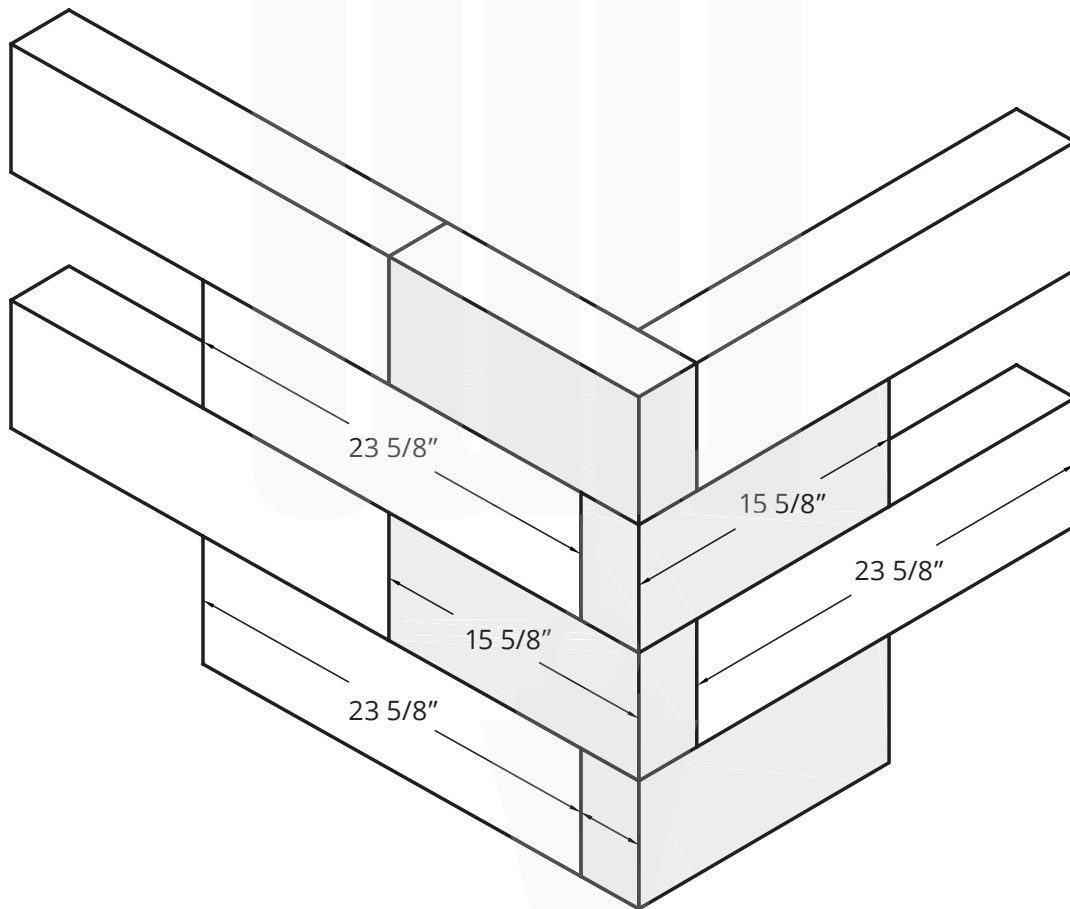




Ground Face 24 Inch Corner Coursing Detail

Notes

1. Corner details can be used at the discretion of the design team for aesthetic and constructability.
2. Review corner details with engineer of record for Rebar placement at all corner details for constructability.
3. Review preferred bond as specified by the design team.
4. Review inside wall conditions to ensure continuity of inside finishes.



14

24 INCH CORNER COURSING DETAIL

SCALE: 1" = 1'-0"