

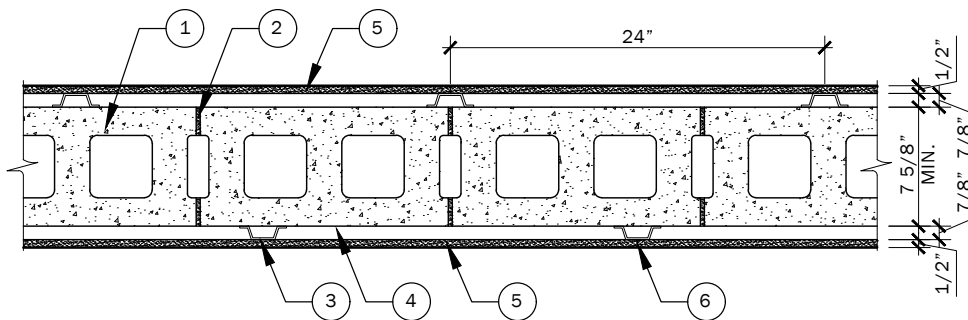


UL FIRE RATED

Design No. U910

Bearing Wall Rating - 4 HR.

Nonbearing Wall Rating - 4 HR.



Concrete Blocks* - Various designs. Classification D-2 (2 hr).

Mortar - Blocks laid in full bed of mortar, nom. 3/8 in. thick, of not less than 2-1/4 and not more than 3-1/2 parts of clean sharp sand to 1 part Portland cement (proportioned by volume) and not more than 50 percent hydrated lime (by cement volume). Vertical joints staggered.

Furring Channels - Min 0.019 in. thick (25 gauge) galv steel, 1-3/8 in. wide on top and 2-3/4 in. wide at bottom by 7/8 in deep. Spaced 24 in. OC perpendicular to floor with a channel parallel to and approximately 3 in. above floor and 3 in. below ceiling. Clearance between vertical and horizontal channels 1/2 in.

Channel Fasteners - 1-1/4 in. long masonry screws with 3/16 in. body and 5/16 in. diameter head. Fasteners spaced 24 in. OC with the fasteners staggered on each long leg of the furring channel.

Wallboard, Gypsum* - 1/2 in. thick, 4 ft. wide, secured to furring channels with wallboard fasteners (Item 6). Gypsum plaster not more than 1/16 in. thick may be applied to wallboard in addition to joint treatment.

American Gypsum Co. - Type AG-C
 Boral Gypsum Inc. - Type BG-C.
 Canadian Gypsum Company - Types C, IP-X2.
 Celotex Corp. - Type FRP.
 Continental Gypsum Company - Types CG-C, CG5-5, CGTC-C.
 G-P Gypsum Corp. - Type 5.
 James Hardie Gypsum Inc. - Type Max "C".

Lafarge Gypsum, A Div. of Lafarge Corp. - Type LGFC-C.
 Pabco Gypsum Co. - Type PG-C.
 Republic Gypsum Co. - Type RG-C.
 Standard Gypsum Corp. - Type SG-C.
 Temple-Inland Forest Products Corp. - Type TG-C
 United States Gypsum Co. - Types C, IP-X2.
 Yeso Panamericano SA de CV - Types C, IP-X2.

Wallboard Fasteners - 1 in. long, self-drilling, self-tapping steel screws with bugle heads. Fasteners attached to each furring channel and spaced 8 in. OC at butt joints and 12 in. OC in the field of the board parallel with furring channels. Clearance between fasteners and edges of wallboard 3/4 in.

Joint System - (Not Shown) - Paper tape embedded in cementitious compound over joints. Paper tape and exposed screws heads covered with two layers of compound. Edges of compound feathered out.

***Bearing the UL Classification Marking**